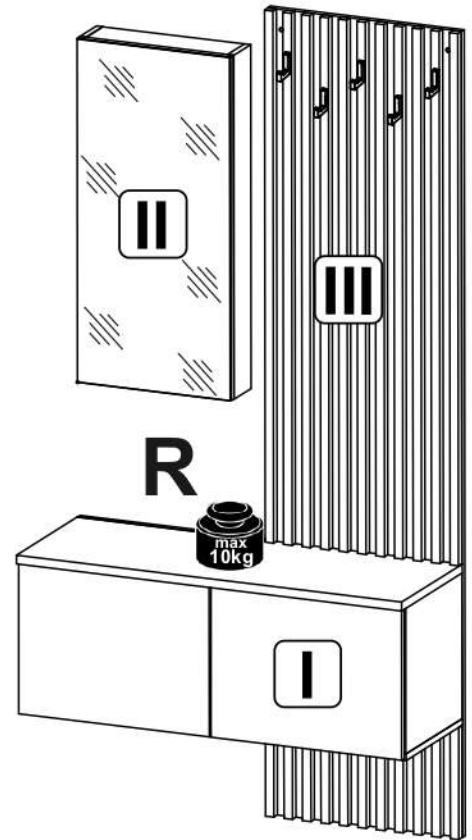
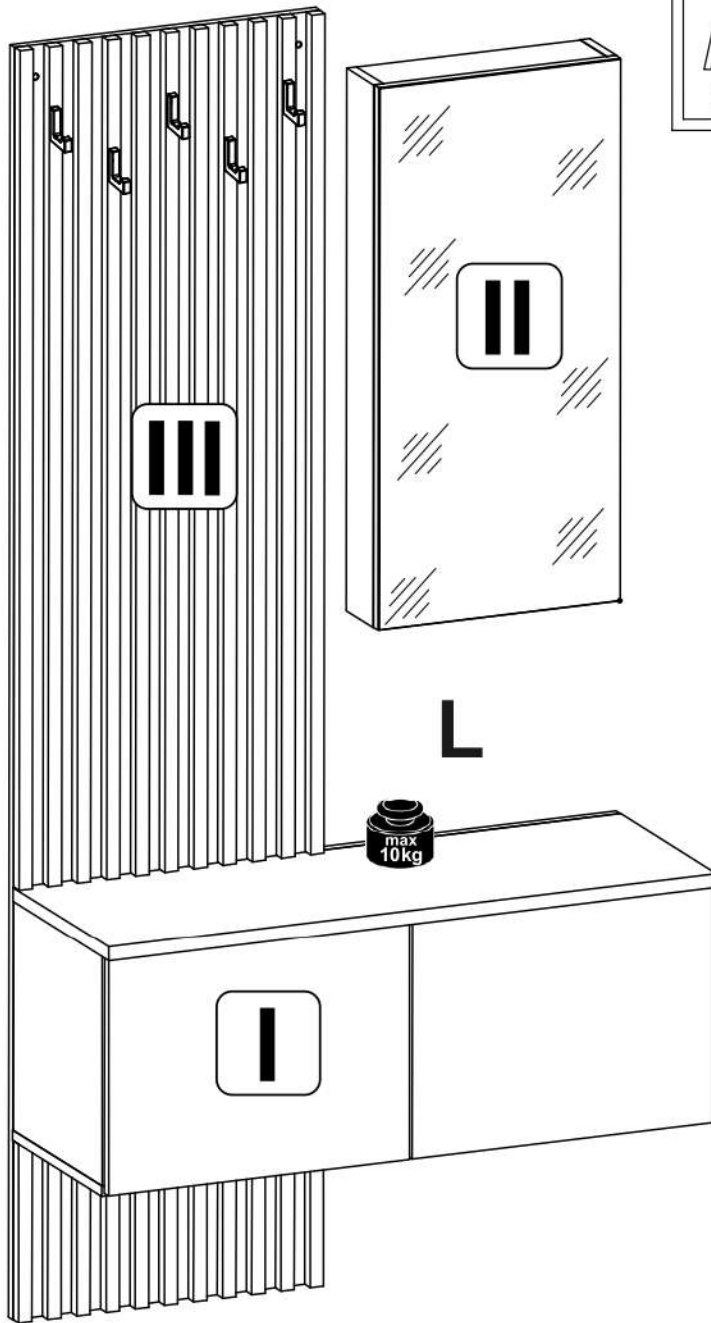
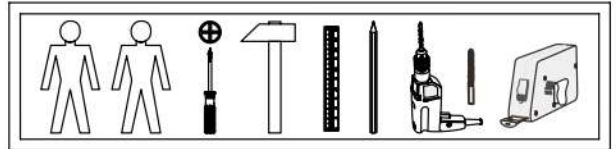
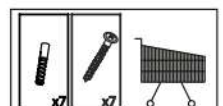


REBEKA

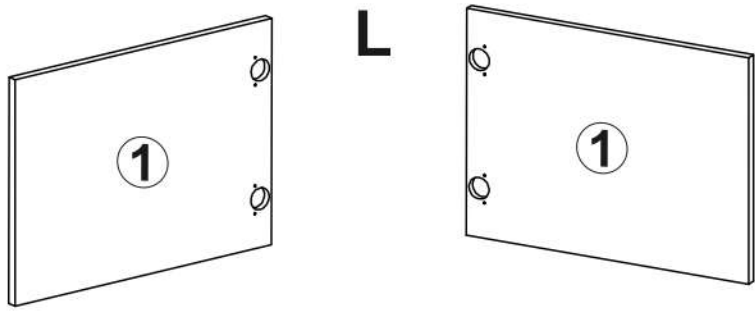
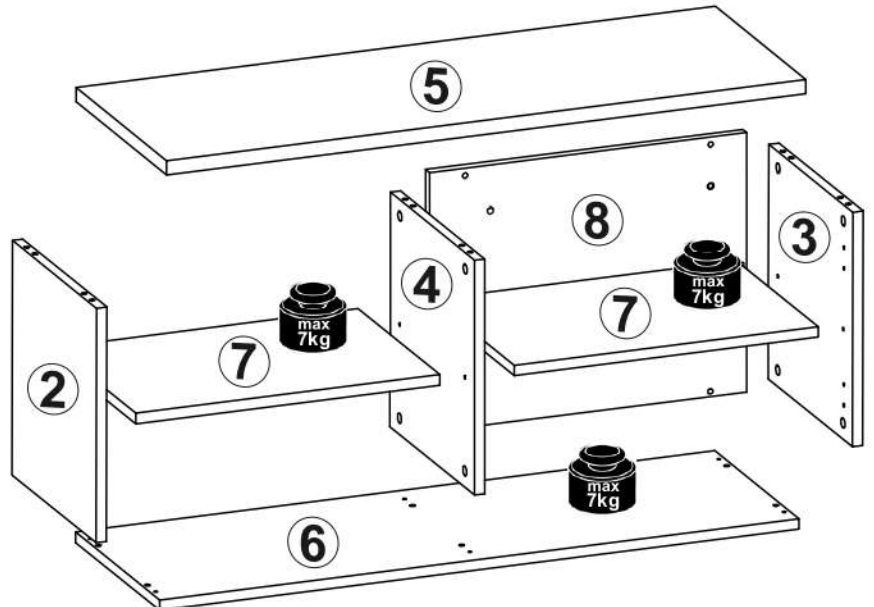


6x KO a44	6x b19	10x φ7x50 mm e1	2x k1	12x φ3,5x15 mm p51	24x l1
20x φ8x30 mm f1	16x φ15x12mm #16 r1	16x 20/9 r16	2x n122/1	4x φ4x30 mm p21	2x n10/1
5x 32 mm g500	10x M4x43 mm j19	1x z1	6x φ3x12 mm p54	2x z100/1 ¹	2x z100/1 ²
16x φ16 s2	16x φ5x17 mm d1	1x силикон o21	2x z100/1 ³	2x z100/1 ⁴	
4x φ5 s4	2x φ20 самоклејка s100				

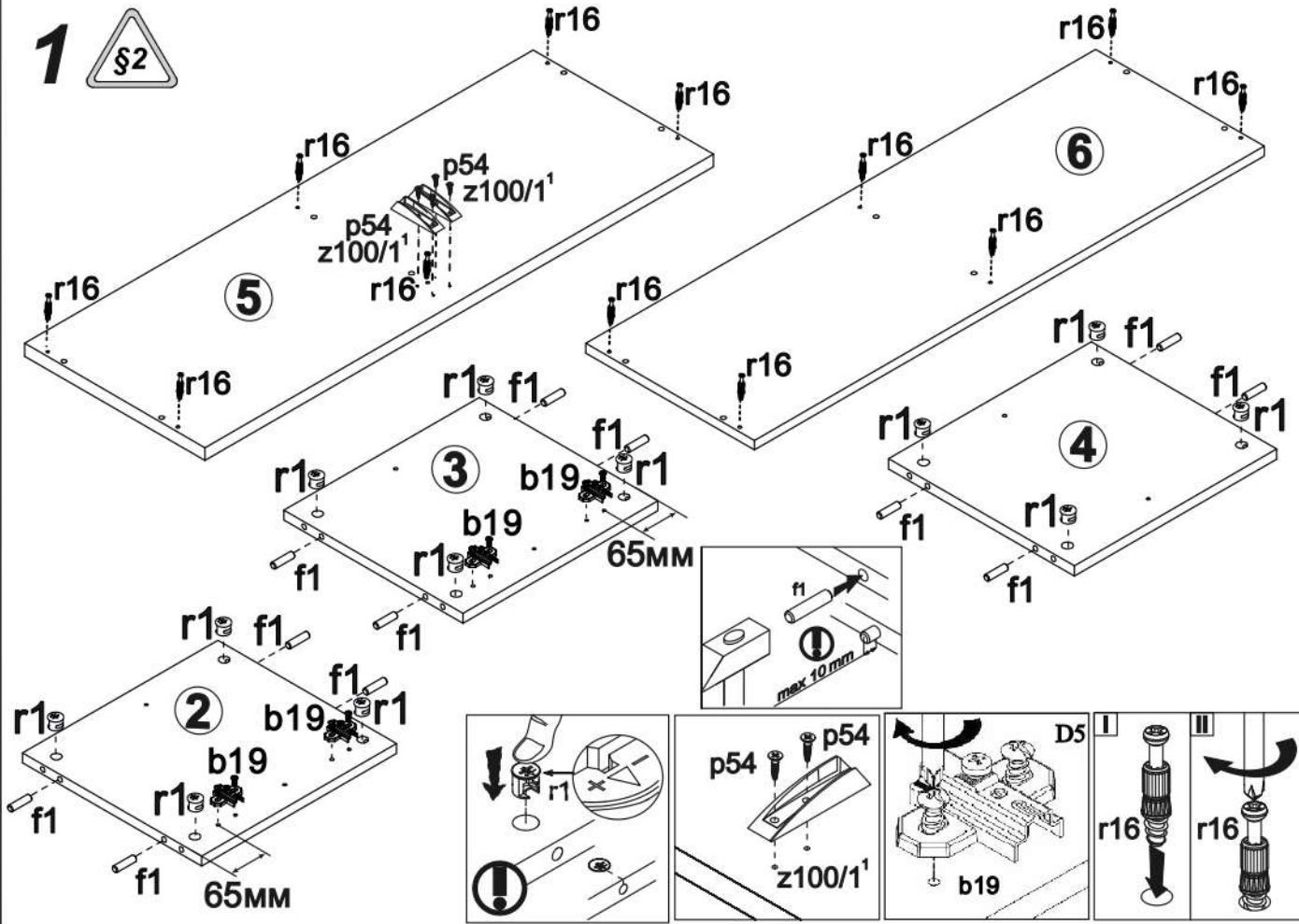


I

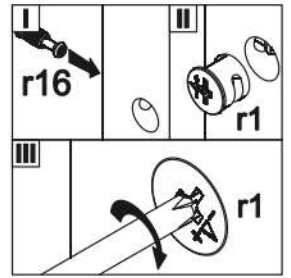
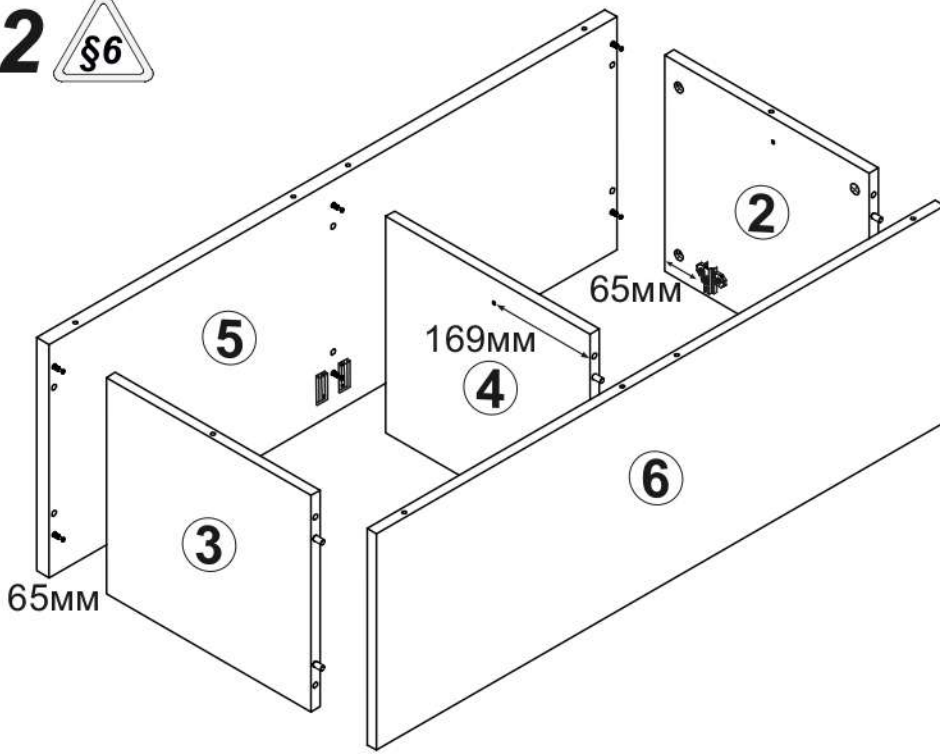
A	B	C	D	
1	AR4-001	499	370	1/2
2	AR4-101	360	330	2/2
3	AR4-102	360	330	2/2
4	AR4-103	360	330	2/2
5	AR4-201	1007	355	2/2
6	AR4-202	1007	330	2/2
7	AR4-301	478	320	2/2
8	AR4-402	503	398	1/2



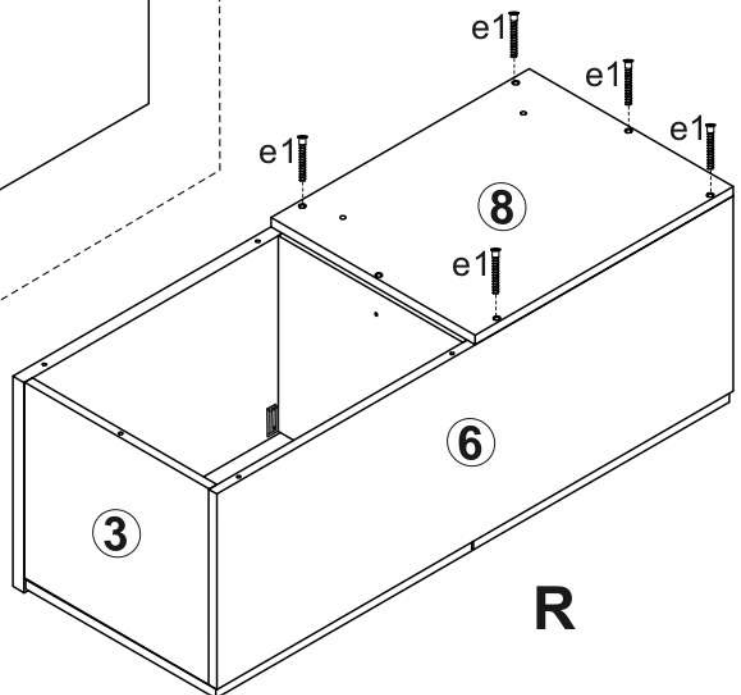
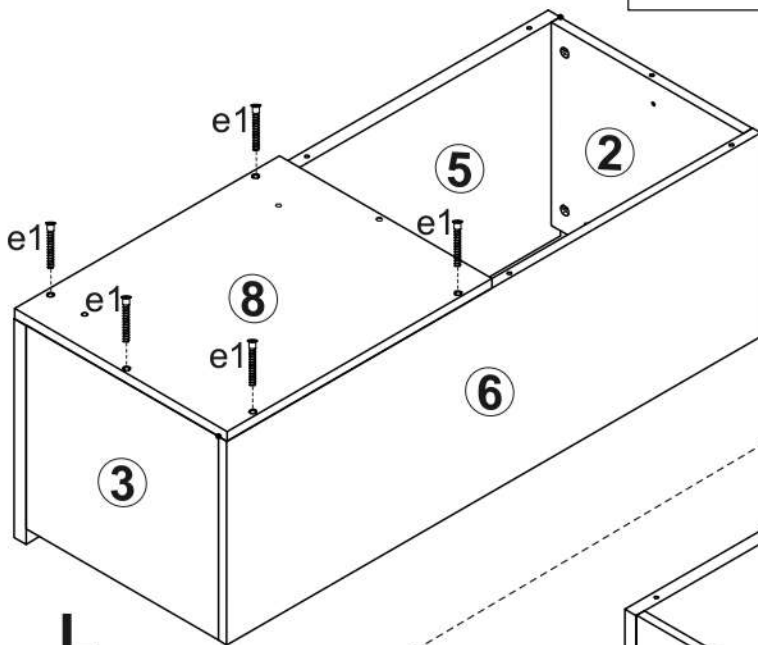
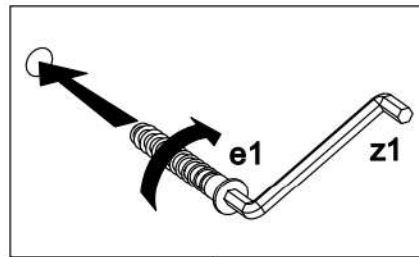
1



2 

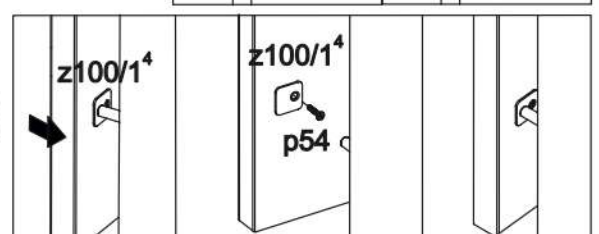
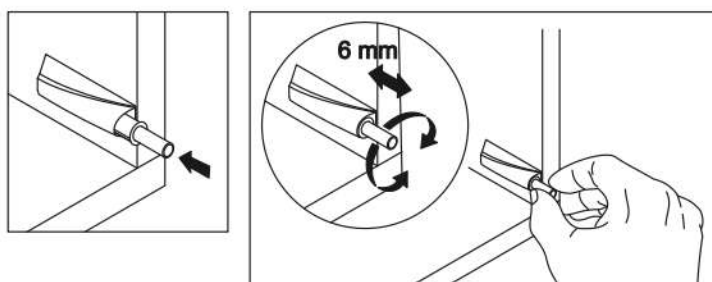
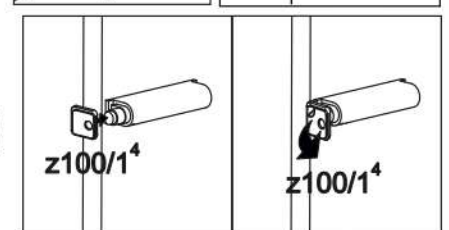
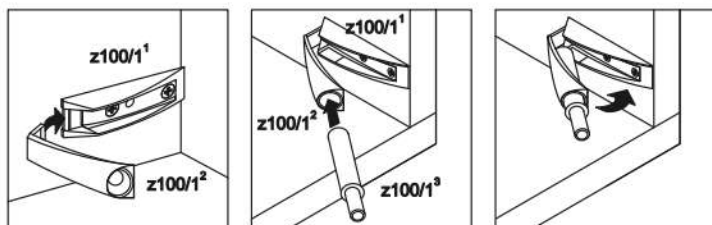
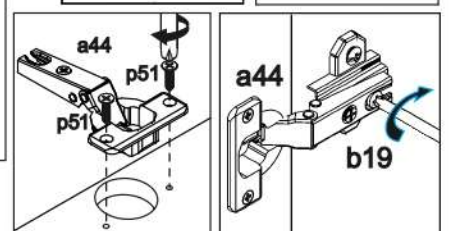
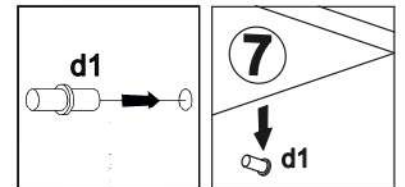
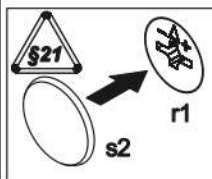
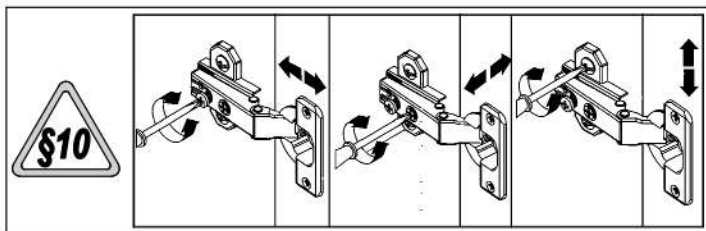
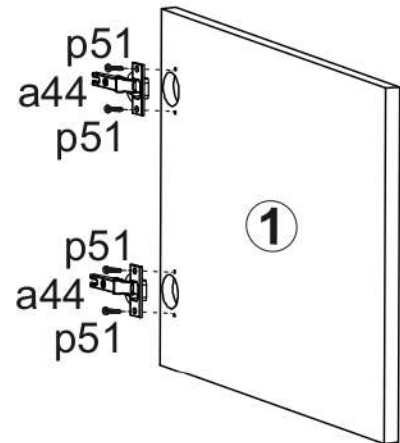
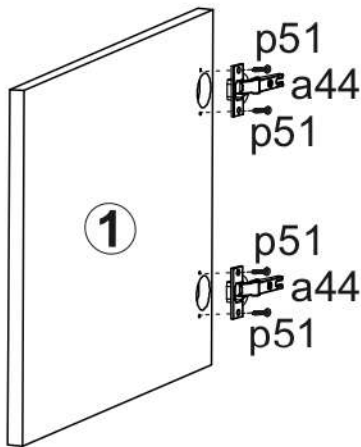
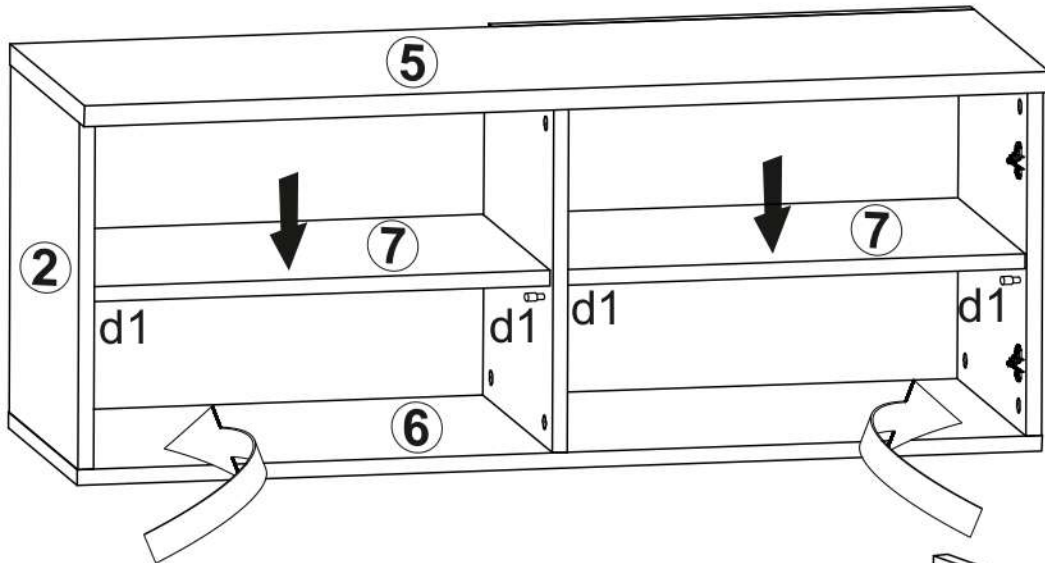


3



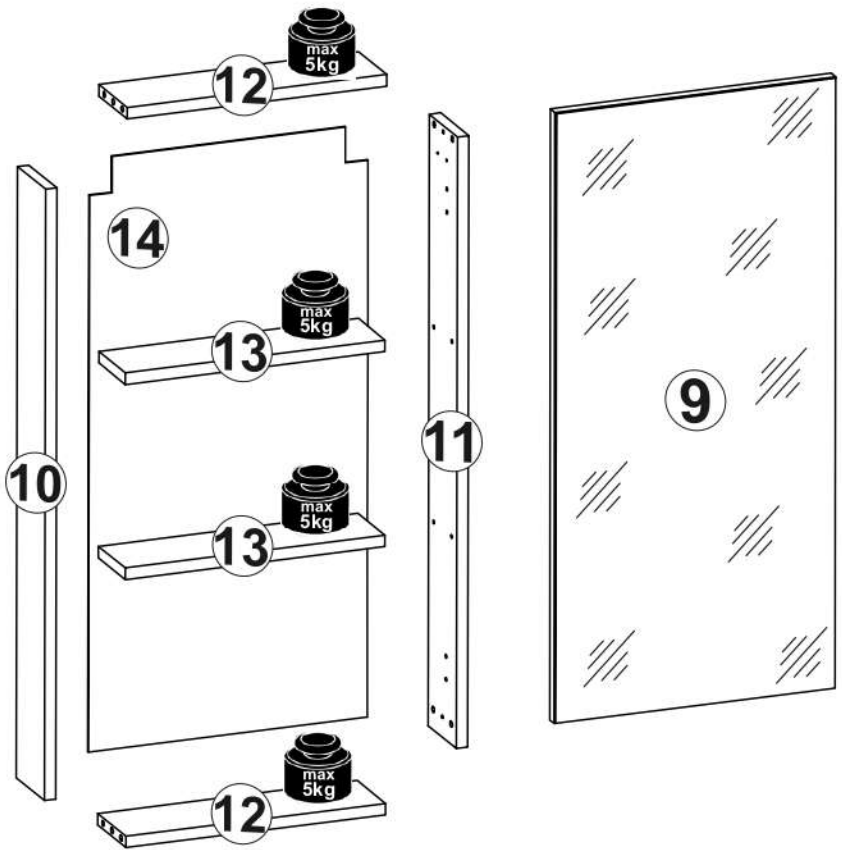
4

L

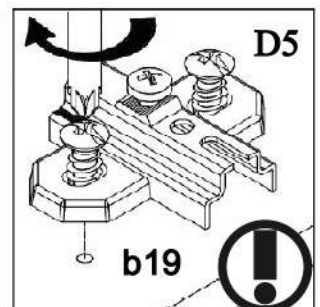
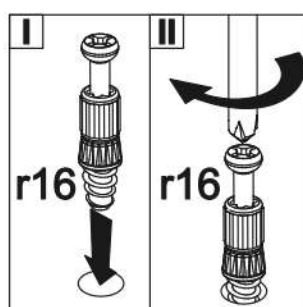
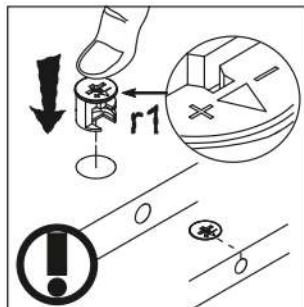
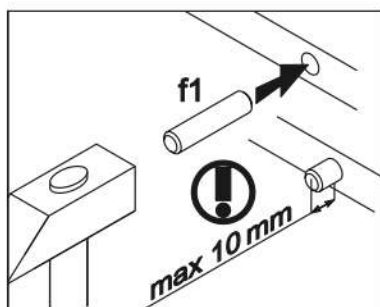
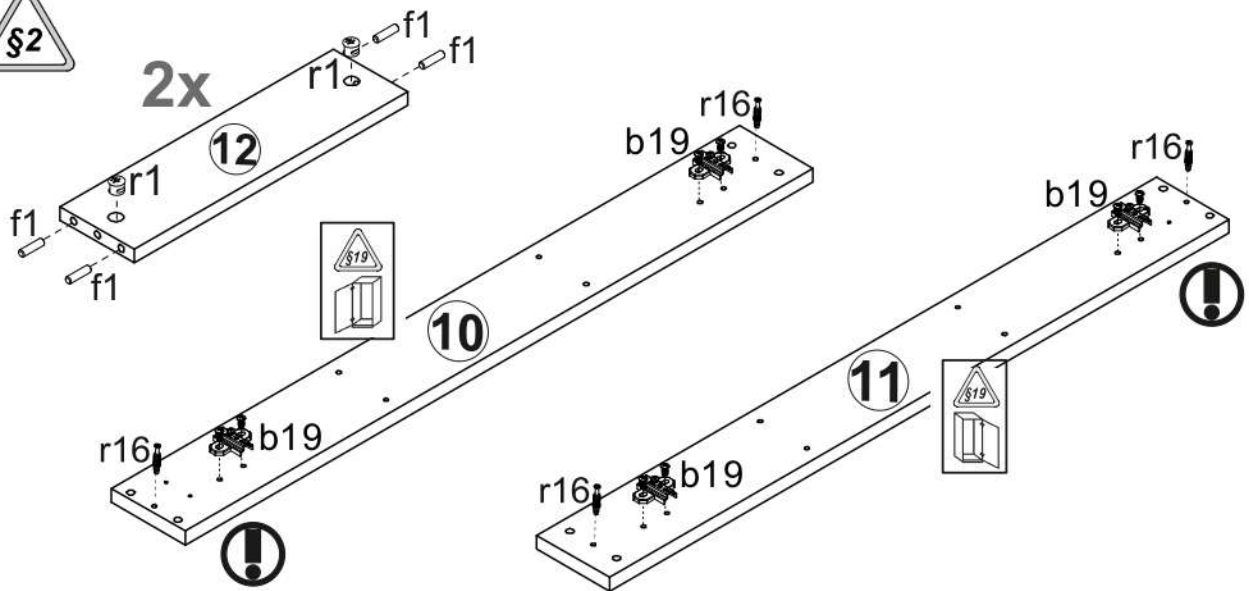


II

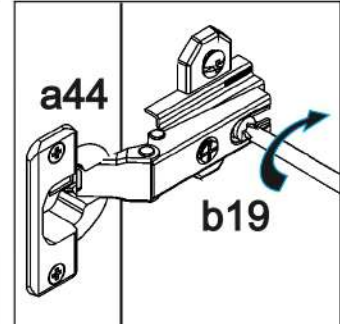
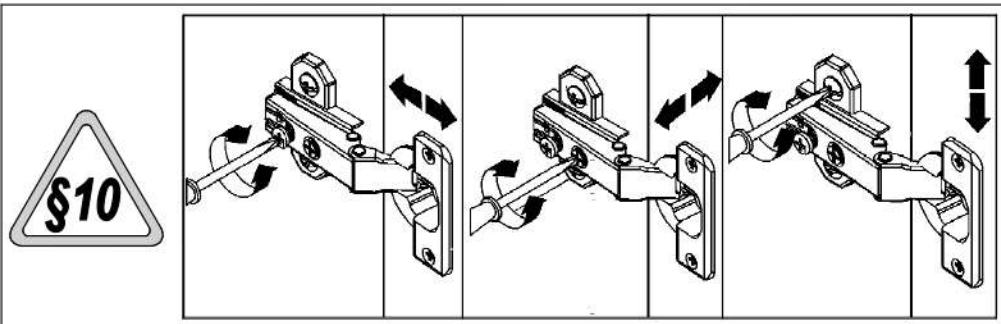
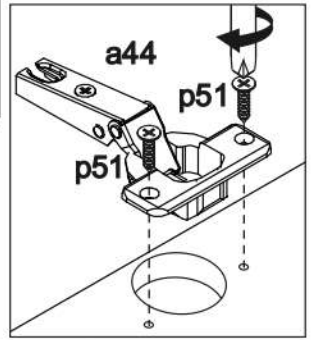
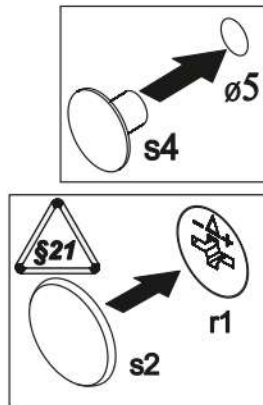
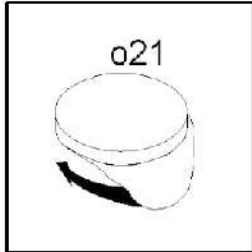
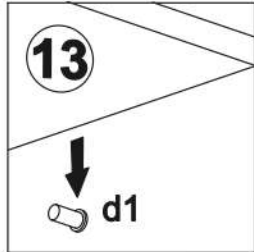
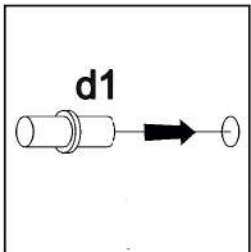
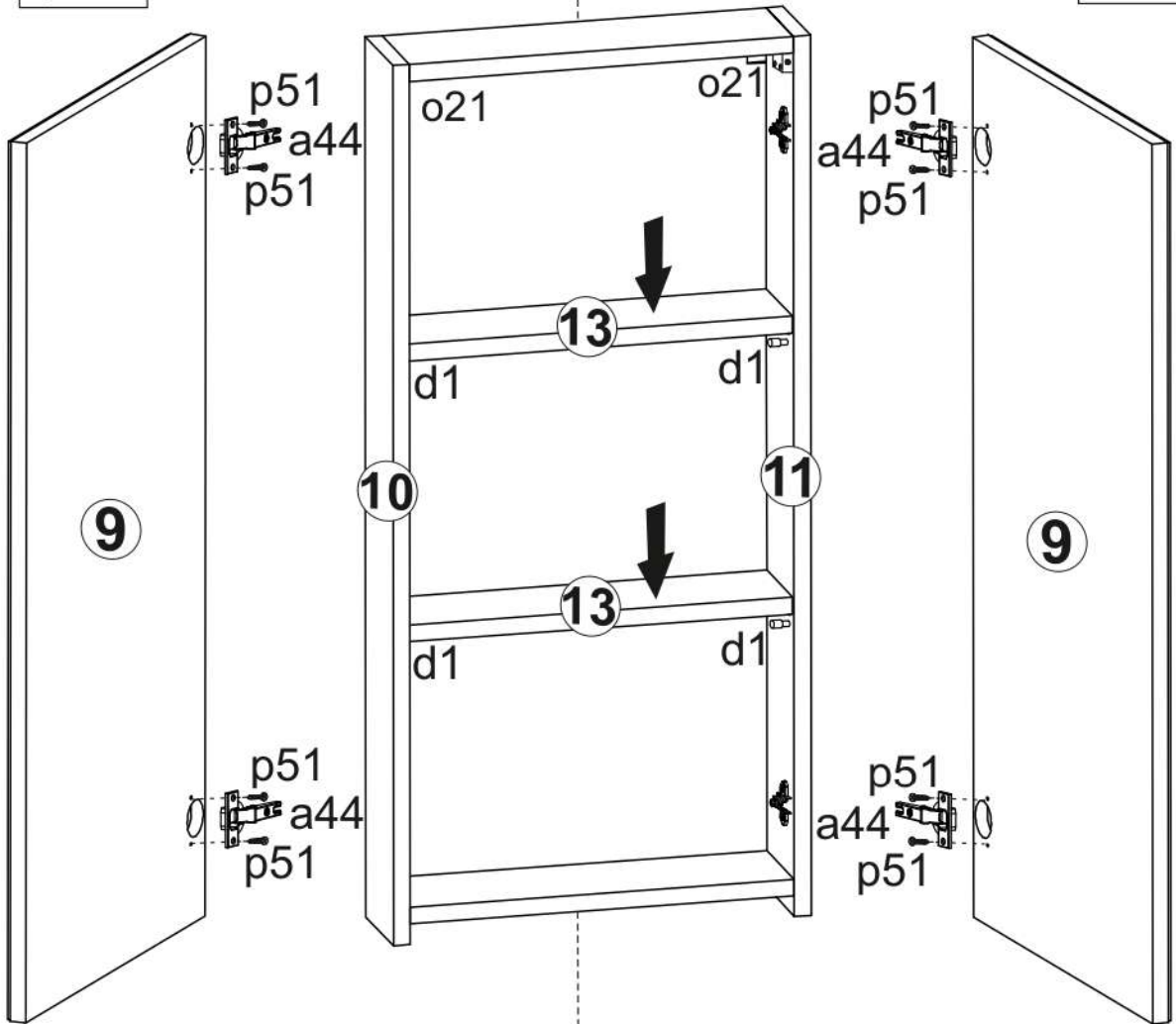
A	B	C	D	
9	AR4-002	850	398	1/2
10	AR4-104	850	100	2/2
11	AR4-105	850	100	2/2
12	AR4-302	368	100	2/2
13	AR4-303	368	95	2/2
14	AR4-901	824	395	1/2



1 §2



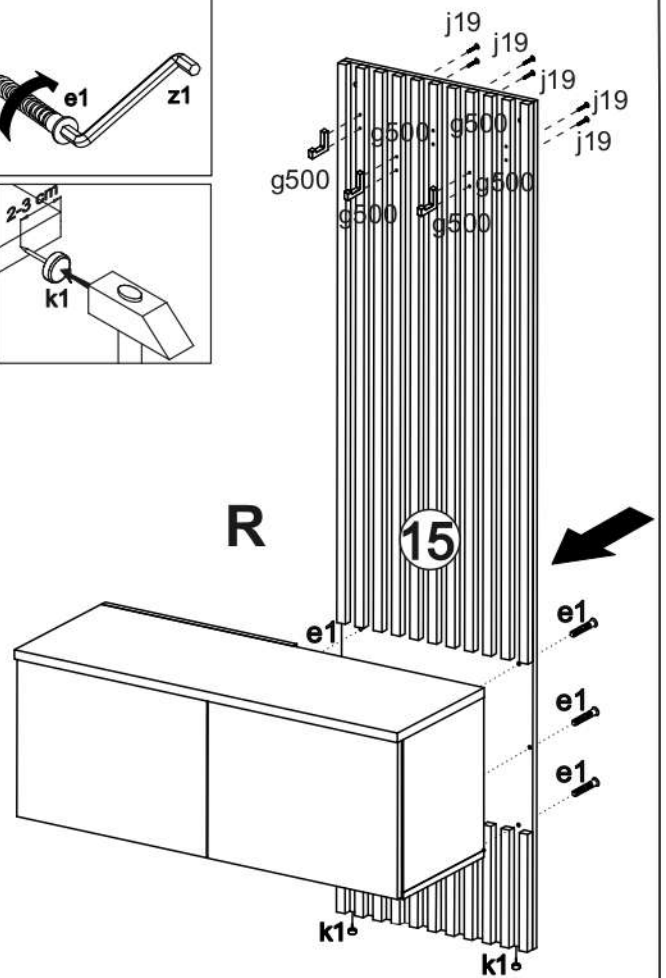
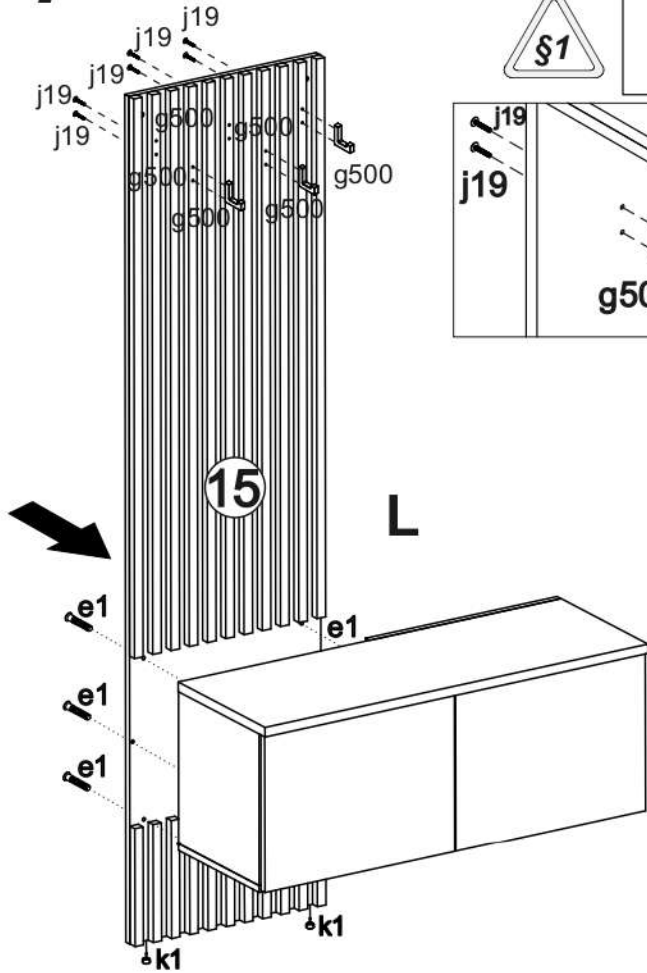
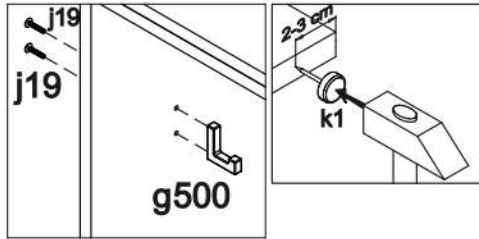
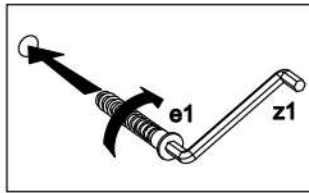
5





1

A	B	C	D
15	AR4-502	1995	503 1/2



2

